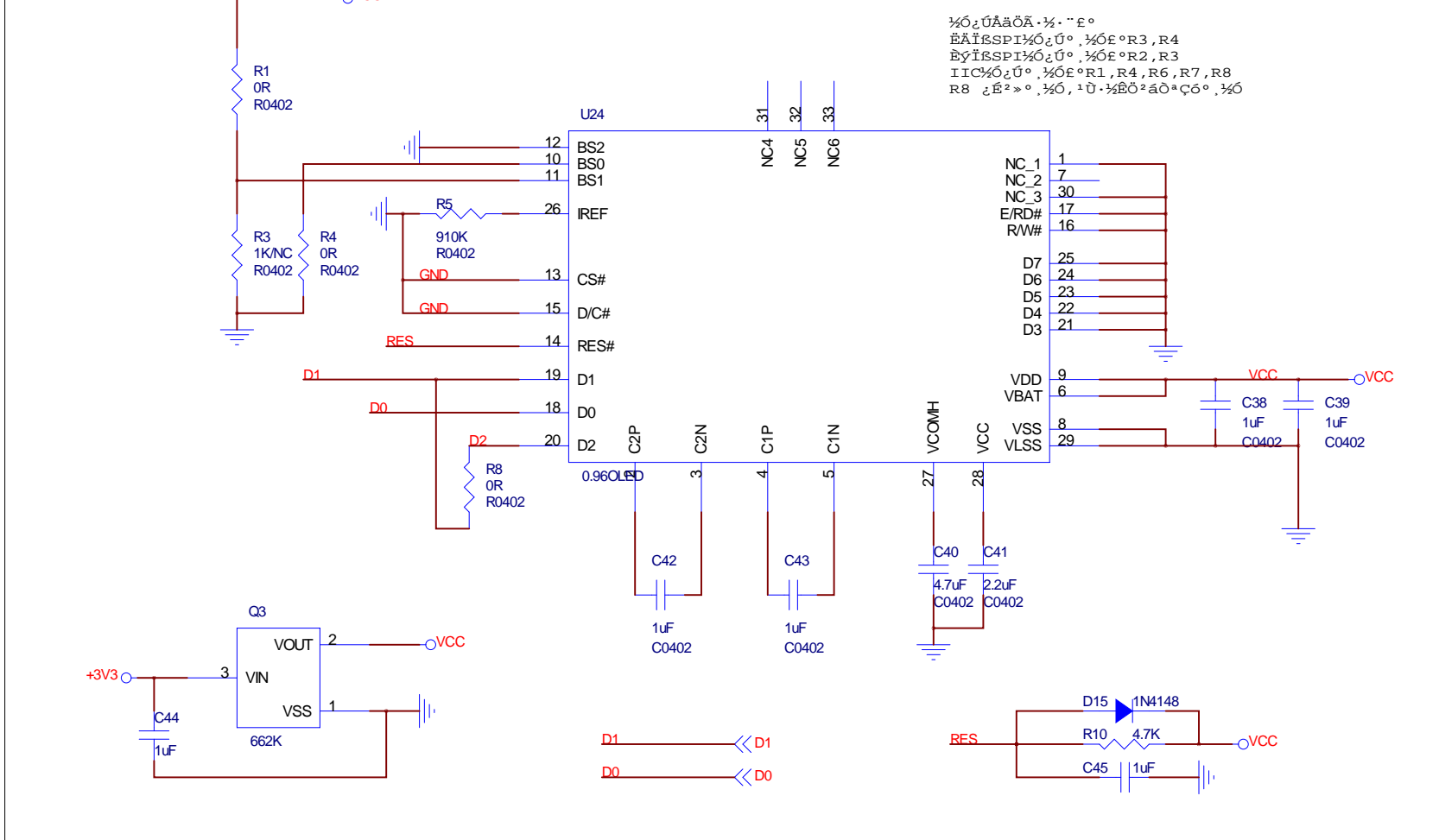


Title		
LORA_V1.3		
Size	Document Number	Rev
B	ESP32-6*6	V1.1
Date:	Wednesday, March 31, 2021	Sheet 1 of 4

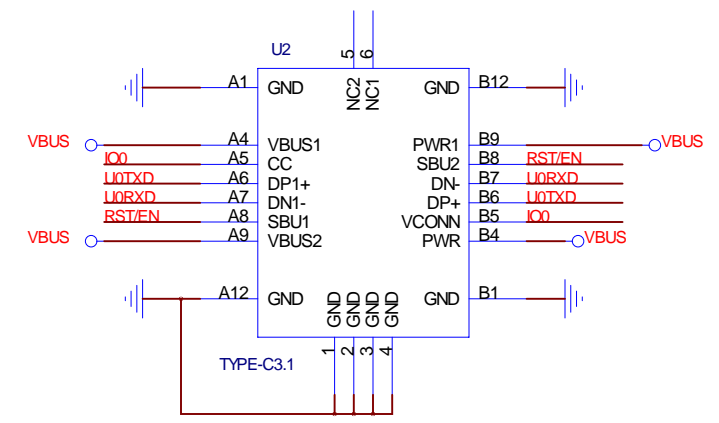
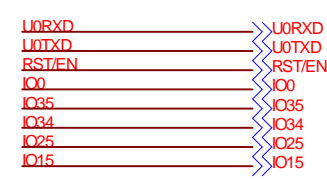
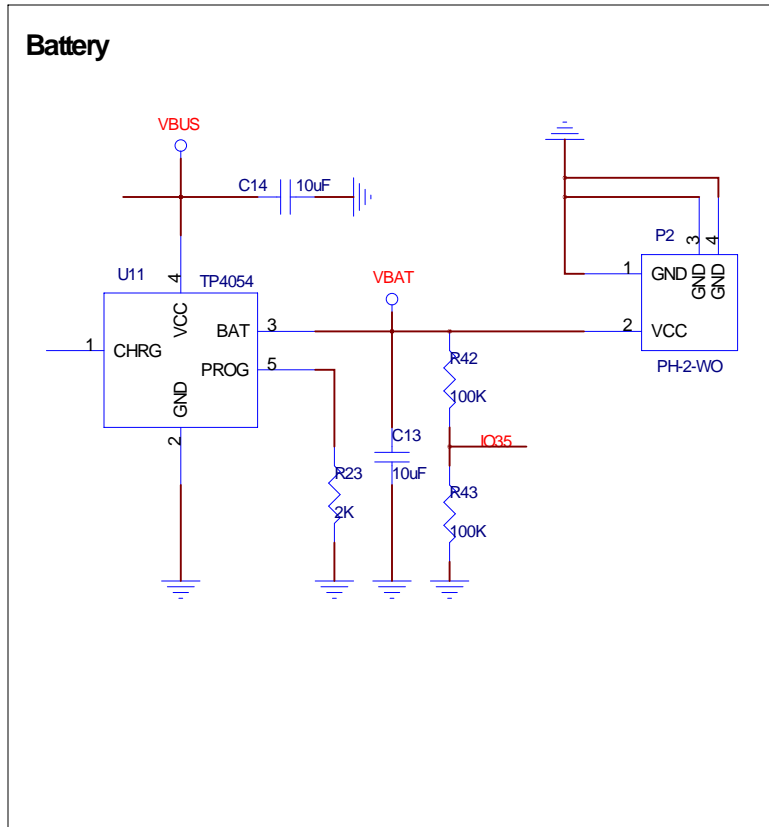
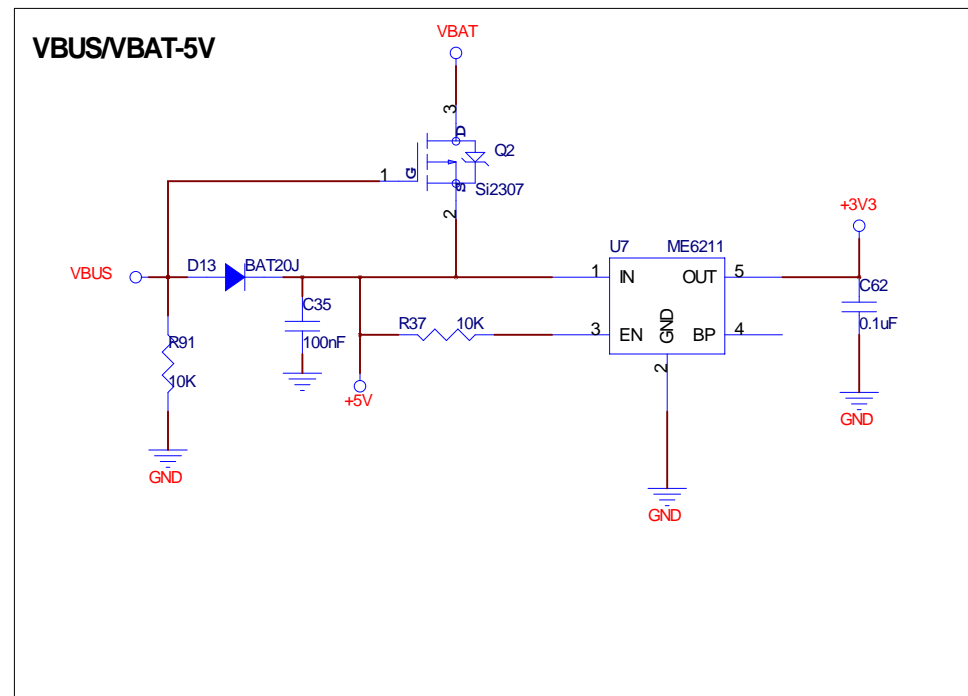
OLED



Title		LORA_V1.3	
Size	Document Number	Rev	
B	OLED	V1.3	
Date:	Wednesday, March 31, 2021	Sheet	3 of 4

USB

LDO



Title		LORA_V1.3	
Size	Document Number	Rev	
B	POWER	V1.3	
Date:	Wednesday, March 31, 2021	Sheet	4 of 4